

Micrometer

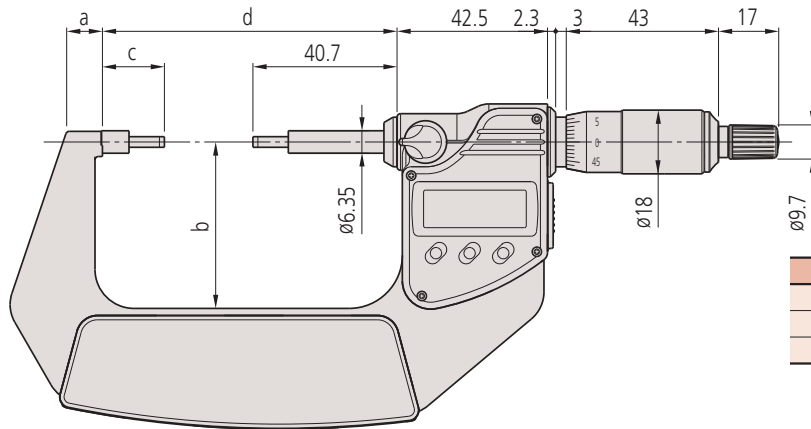
The origin of Mitutoyo's trustworthy brand of small tool instruments

DIMENSIONS

Digital Models

Models up to 75mm measuring range

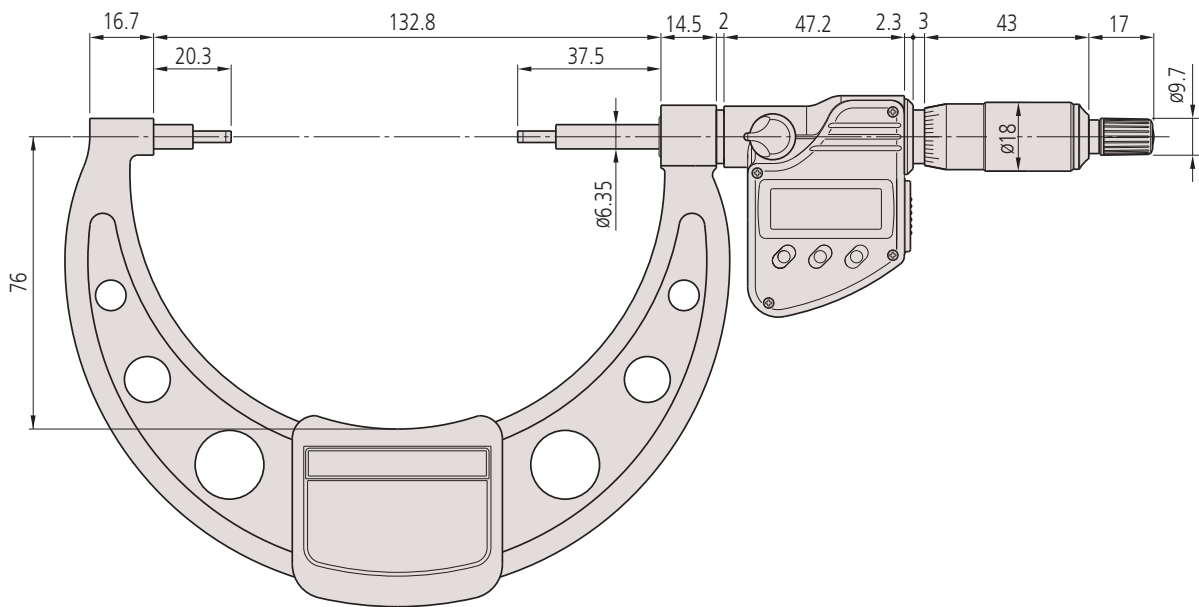
Unit: mm



Range	a	b	c	d
0 - 25mm	7.3	32		58.2
25 - 50mm	10.1	47	17.5	83.2
50 - 75mm	11.5	60		108.2

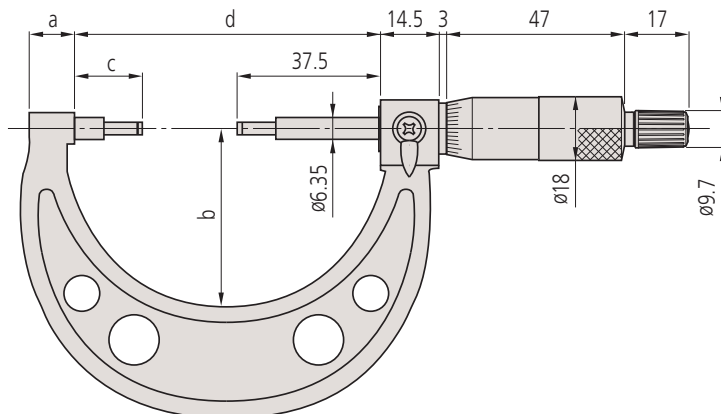
Digital Models

Models over 75mm measuring range



Analog Models

Models up to 300mm measuring range



Range	a	b	c	d
0 - 25mm	10	38		55
25 - 50mm	12	49	17.5	80
50 - 75mm	14	60		105
75 - 100mm	16.7	79	20.3	132.8
100 - 125mm	18.8	94	20.7	158.2
125 - 150mm	19.1	106	21.1	183.6
150 - 175mm	18.2	118	21.3	208.8
175 - 200mm	16.8	130	21.7	234.2
200-225mm		181		334
225-250mm	18	169	21.5	309
250-275mm		156		284
275-300mm		143	20.5	258



These marks indicate that a product has successfully passed IP65-level testing, which is carried out by the independent German certification organization TÜV Rheinland.



(Refer to page IX for details.)

IP Codes (331 series)

Level 6: Dust-proof.

No ingress of dust allowed.

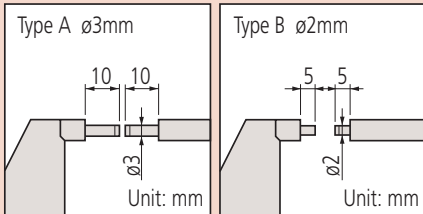
Level 5: Protected against water jets.

Water projected in jets against the enclosure from any direction shall have no harmful effects.

Technical Data

Flatness: $0.3\mu\text{m}/.000012''$

Parallelism: $(2+R/100)\mu\text{m}$, R = max. range (mm)
 $[.00008'' + .00004(R/4)]''$ R = max range (inch)
 fraction rounded down



Battery for series 331

SR44 (1 pc), 938882, for initial operational checks (standard accessory)

Optional accessories

Connecting cables for 331 series

1m: 05CZA662

2m: 05CZA663

USB Input Tool Direct

USB-ITN-B (2m): 06ADV380B

Connecting cables for U-WAVE-T

02AZD790B 160mm

For foot switch: 02AZE140B

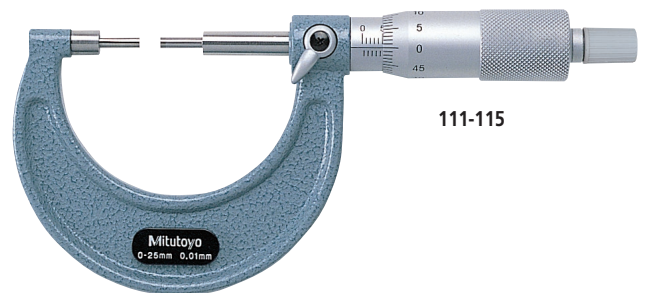
Refer to page A-21 for details.

Spline Micrometers SERIES 331, 111, 131

- The anvil and spindle are of small diameter for measuring splined shafts, slots, and keyways.
- IP65 water/dust protection (series 331).
- Measuring faces: Carbide
- Equipped with Ratchet Stop for constant measuring force.



331-251



111-115

SPECIFICATIONS

Metric				
Order No.	Range	Resolution	Accuracy*	Remarks
Digimatic (LCD)				
331-251	0 - 25mm	0.001mm	±2μm	Type A
331-252	25 - 50mm			
331-253	50 - 75mm		±3μm	
331-254	75 - 100mm			
331-261	0 - 25mm	0.001mm	±2μm	Type B
331-262	25 - 50mm			
331-263	50 - 75mm		±3μm	
331-264	75 - 100mm			

* Excluding quantizing error

Inch/Metric				
Order No.	Range	Resolution	Accuracy*	Remarks
Digimatic (LCD)				
331-351	0 - 1"	.00005"/ 0.001mm	±.0001"	Type A
331-352	1" - 2"			
331-353	2" - 3"		±.00015"	
331-354	3" - 4"			
331-361	0 - 1"	.00005"/ 0.001mm	±.0001"	Type B
331-362	1" - 2"			
331-363	2" - 3"		±.00015"	
331-364	3" - 4"			

* Excluding quantizing error

Metric				
Order No.	Range	Graduation	Accuracy	Remarks
Analog				
111-215	0 - 25mm	0.01mm	±3μm	Type B
111-115	0 - 25mm			
111-116	25 - 50mm			
111-117	50 - 75mm			
111-118	75 - 100mm			
111-119	100 - 125mm			
111-120	125 - 150mm		±4μm	Type A
111-121	150 - 175mm			
111-122	175 - 200mm			
111-123	200 - 225mm			
111-124	225 - 250mm			
111-125	250 - 275mm			
111-126	270 - 300mm	±5μm	Type A	
111-125	250 - 275mm			
111-126	270 - 300mm	±6μm	Type A	
111-125	250 - 275mm			
Mechanical counter model				
131-115	0 - 25mm		±3μm	Type A

Inch				
Order No.	Range	Graduation	Accuracy	Remarks
Analog				
111-166	0 - 1"	.0001"	±.00015"	Type A